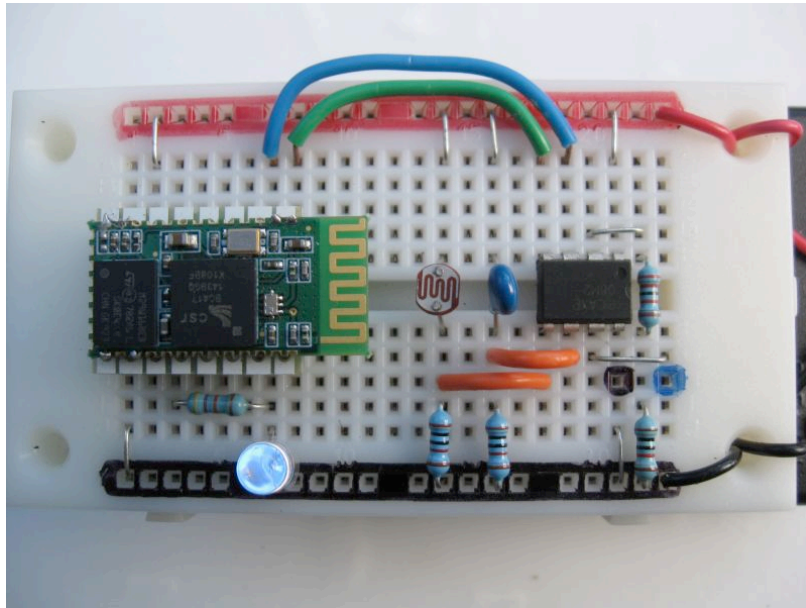
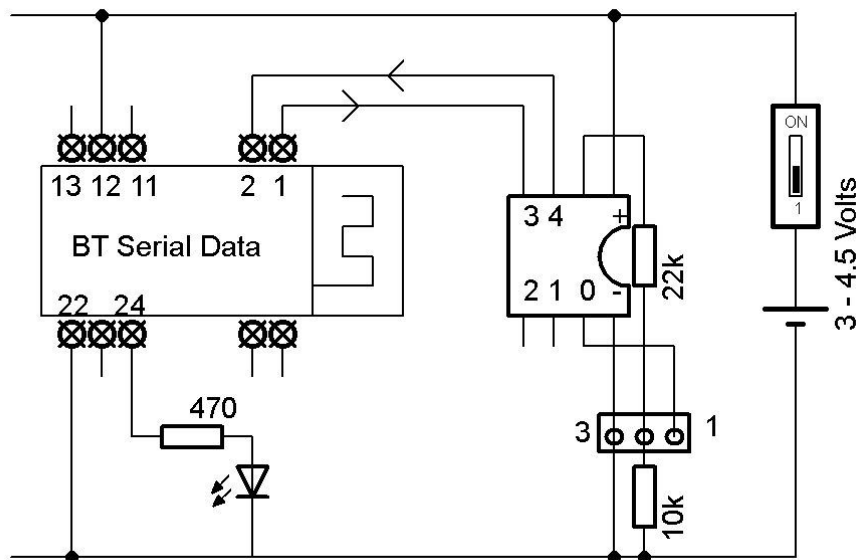


Blue Teeth



- Build the above or a similar circuit and remove or DE-Program the picaxe chip initially while you establish 'Pairing' with your device
- Power up the BT module and you should see the LED blinking which means link is not established
- Start, Turn ON and ENABLE the BT on the device of choice. I strongly recommend a conventional lap top (Eee running Xp works for me)
- Use the wizrd or tools provided to SEARCH for a NEW BT device which should com up as "linvor" or similar
- Establish pairing when prompted for a pass phrase which is "1234" This only needs to be done once
- Complete the configuration of the device when prompted. If and when asked choose "Serial Blue Tooth Link" or similar.
- Choose a low numbered com port if asked that can be used by yor program or application.
- Use device manager, or control panel etc to check and tweak the status of the BT device.
- Search for or note the virtual com port that will be created (E.g. Com13) Com21 works for me on my Eee notebook



- See what you can now do with this setup. In the above example Serial data is being transferred btween the picaxe and the BT module and data logging programs using F9 data logger built into the Picaxe Programming editor and or STAMP-DAQ Com port <> XL application from Parallax
- To be continued..... (Draft)