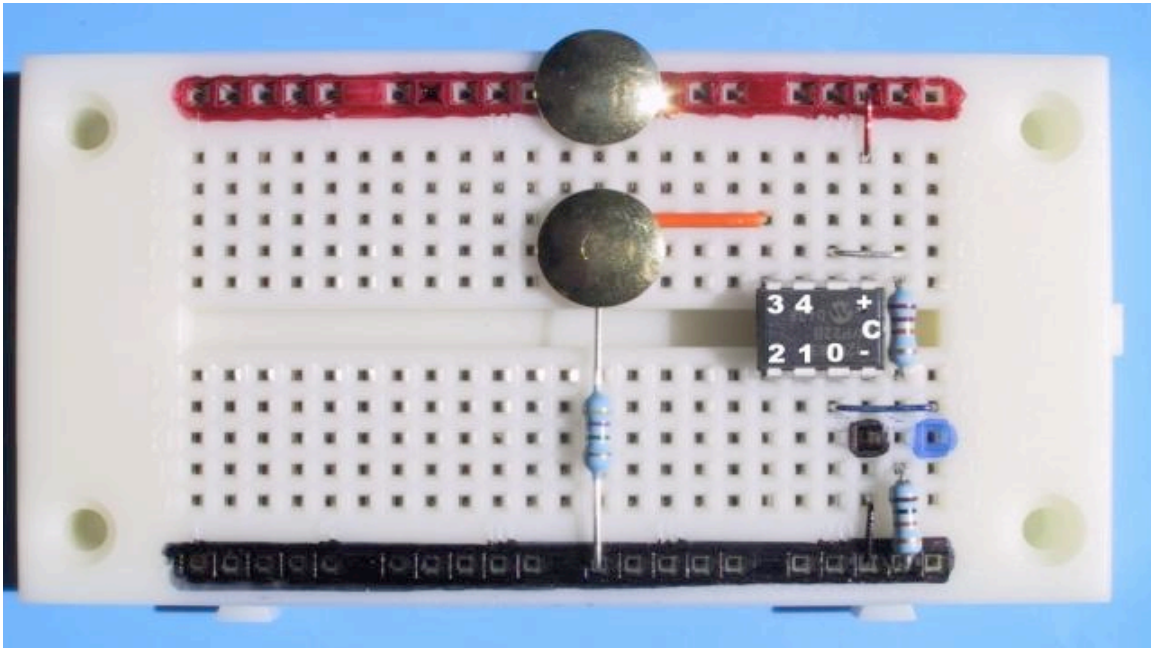


If Then ~ Touch Switch



Loopa:

nap 5

if pin3 = 0 then Loopa

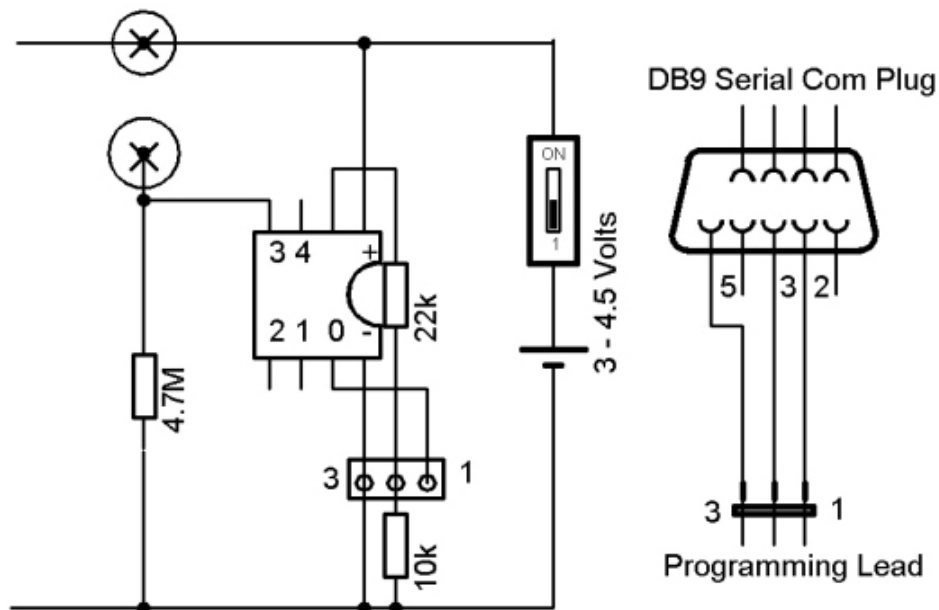
play 3,3

goto Loopa

'nap for a bit. Very low power time delay

'Check pin 3 and if it is LOW (= 0 volts) go back to the top

'Play tune number 3 and flash LED code 3 (both pins 0 and 4)



- This shows the Input circuit and programming trigger only. Add a piezo to pin 2 and or LED's to pin 0 and pin 4 that will flash alternately
- Use the Tune command to compose your own. E.g. tune 3, 3, (1, 2, 3, 4, 5, 4, 3, 2, 1)
- To work with touch switches use a 4m7 (4.7 meg Ohm) resistor to detect fingers
- Other switches like a reed, mercury, piezo or PB type switch can be used in place of the drawing pin touch contacts with a 10k resistor
- See Help Section PICAXE Manual I Tutorial 5 – Using Digital Inputs for more circuits, ideas and programming tips and Manual III “Input Device Interfacing”
- A 4m7 value pull down is the optimum value for drawing pin skin touch circuits
- This is the simplest picaxe project you can make !