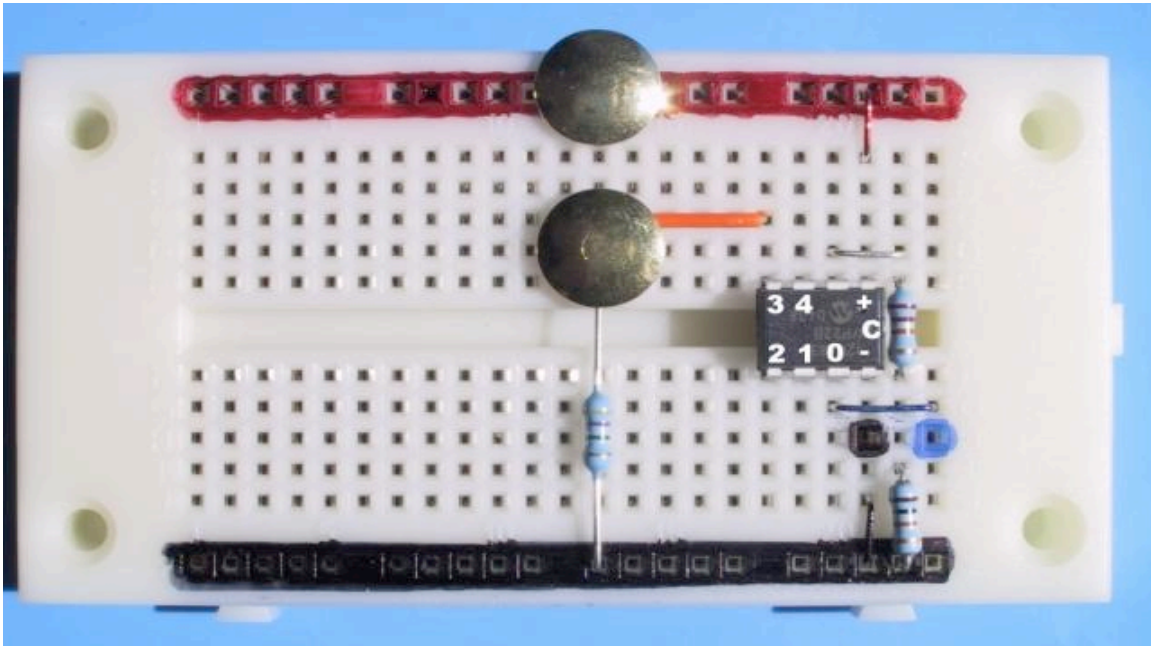
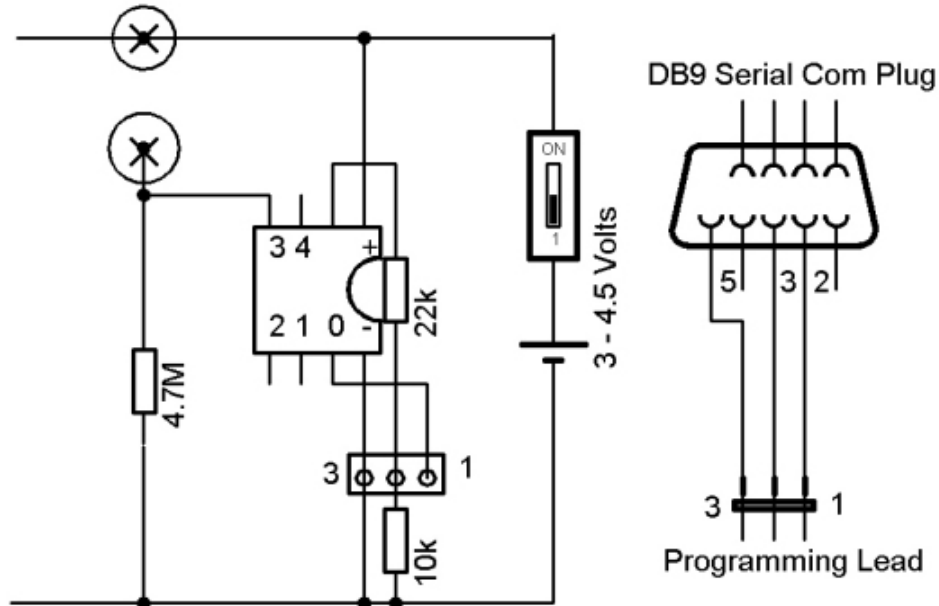


## If Then ~ Touch Switch



**Loopa:**  
**nap 5**  
**if pin3 = 1 then**  
   **play 1, 3**  
**endif**  
**goto Loopa**

*'Nap for a bit. Very low power time delay*  
*'IF Pin 3 is HIGH = (Vcc volts) THEN do the following*  
*'Play tune number 1 on pin 2 and flash LED's on pins 0 and 4*  
*'End of the IFTHEN statement' block of code'*



- This shows the Input circuit and programming trigger only. Add a piezo to pin 2 and or LED's to pin 0 and pin 4 that will flash alternately
- Use the Tune command to compose your own. E.g. tune 3, 3, ( 1, 2, 3, 4, 5, 4, 3, 2, 1 )
- To work with touch switches use a 4m7 (4.7 meg Ohm) resistor to detect fingers
- Other switches like a reed, mercury, piezo or PB type switch can be used in place of the drawing pin touch contacts with a 10k resistor
- See Help Section PICAXE Manual I Tutorial 5 – Using Digital Inputs for more circuits, ideas and programming tips and Manual III “Input Device Interfacing”
- A 4m7 value pull down is the optimum value for drawing pin skin touch circuits

