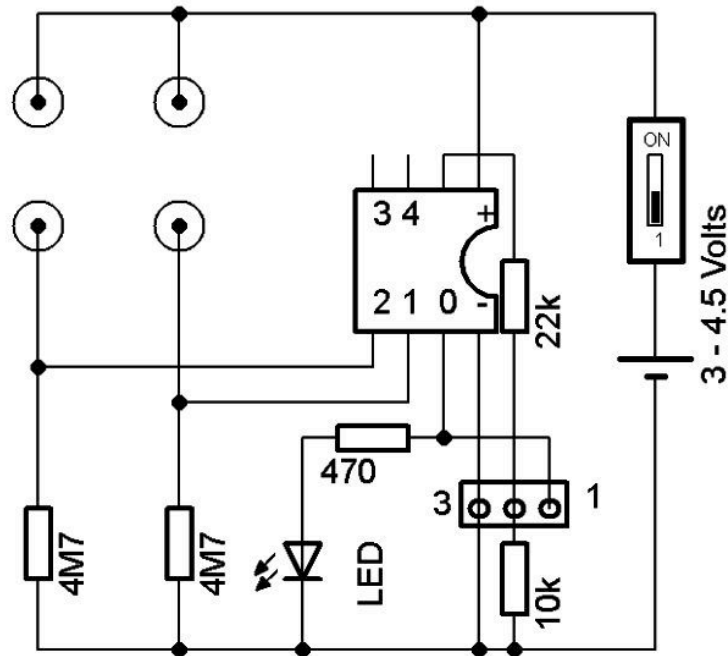
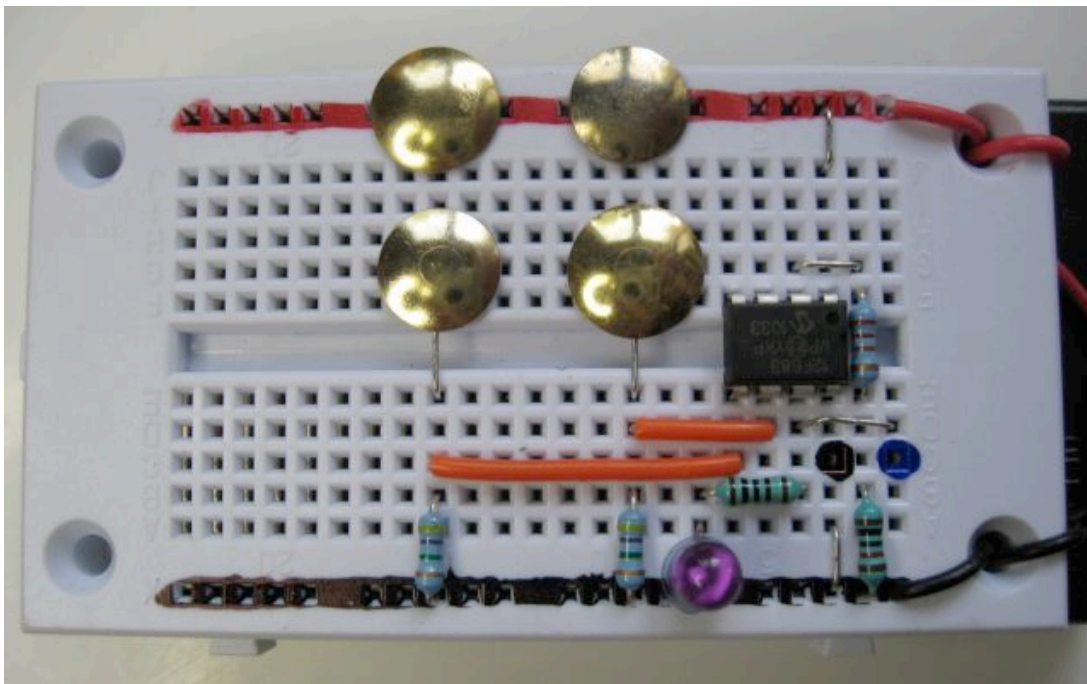


Ird 2 Button Remote



Loopa:
 nap 4
 b0 = pins
 if b0 = 0 then Loopa
 let b0 = b0 / 2
 irout 1, b0
 goto loopa

'Low power delay to save power and repeat delay
'Read the binary state of all input pins into byte b0
'If all pins are 0 (binary %00000000) then go back to Loopa
'Shift all bits one place to the right Eg 00000010 > 00000001
'Transmit the b0 binary code (1 OR 2 OR 3) via the Ird LED on pin 0



- Refer to other templates for a 4 button project and how to boost the range of the remote
- This circuit can control a Sony TV or another picaxe with the Irin command
- Refer to the Help Section PICAXE Manuals for programming ideas and circuits under the Infrain2, infraout and more advanced superior picaxe M2 series Irin and Irout commands