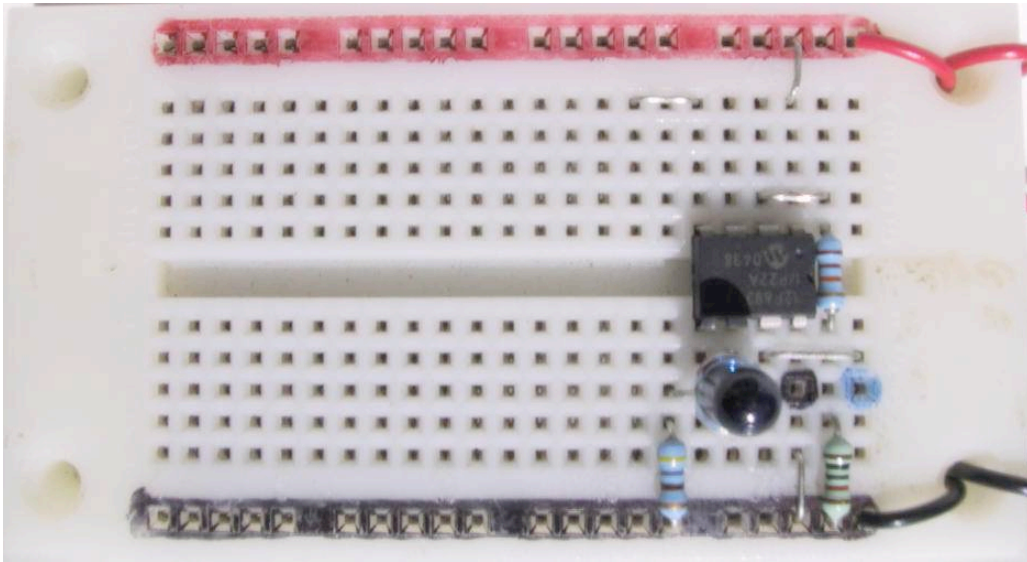
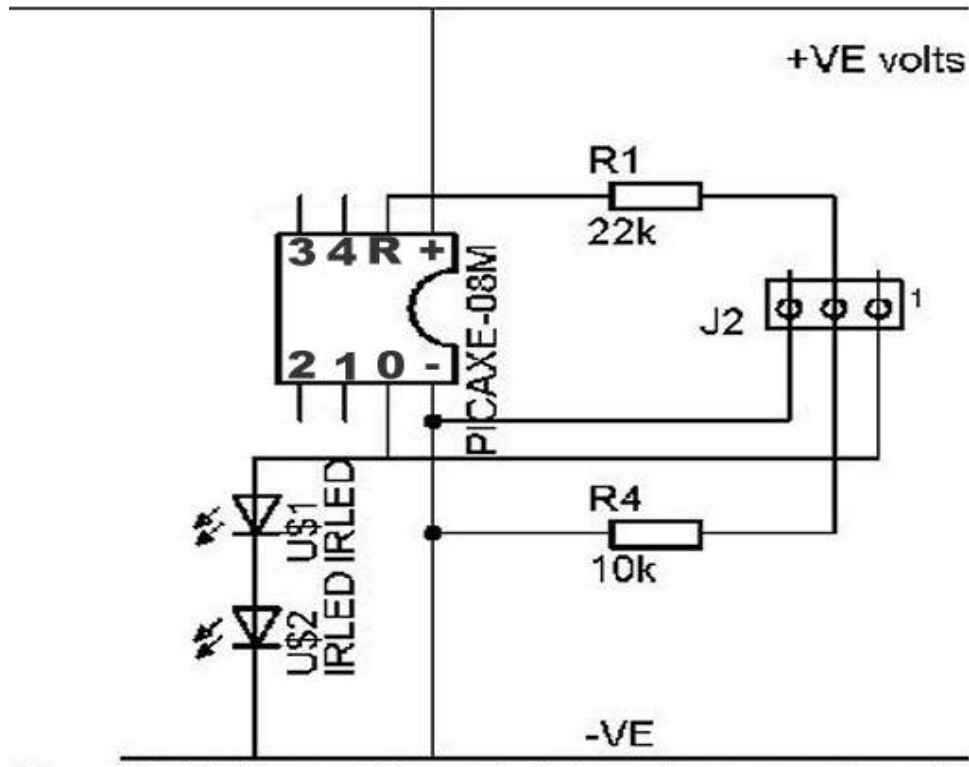


Ird Tx InfraOut



```
loopa:
for b0 = 0 to 127
infraout 1, b0
nap 5
next
goto loopa
```

'Simple loop to transmit all 127 possible codes
'Transmit a SIRC infraout 1 coded (Sony TV compatible)
'Short low power time delay



- Note the 470 current limiting energy wasting resistor has been replaced with a 2nd Ird LED to increase the transmitted Ir power. This boosts performance and range considerably.
- Refer to the Help Section PICAXE Manuals for programming ideas and circuits under the Infrain2, infraout and more advanced superior picaxe M2 series Irin and IROUT commands
- Use the other templates to make a 2 and a four button Ird remote
- A very simple practical Ird coded remote 'key' can be made with one (or more) momentary tact switches. the 08M chip. a button cell and one or more Ird LED