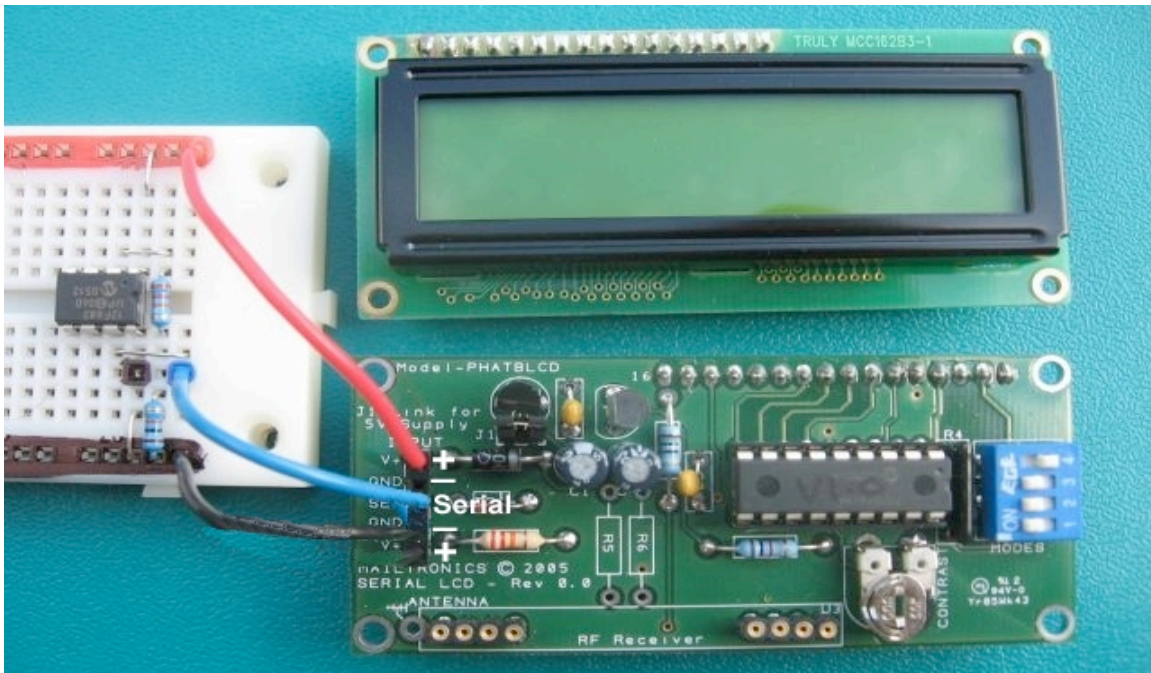


LCD Text Messages



Loopa:

readadc 1, b1

sertxd (254, 1)

nap 3

sertxd (254, 128, "Dog Box Temp")

sertxd (254, 192, "=", #b1)

nap 7

goto Loopa

'Read adc from something on pin1

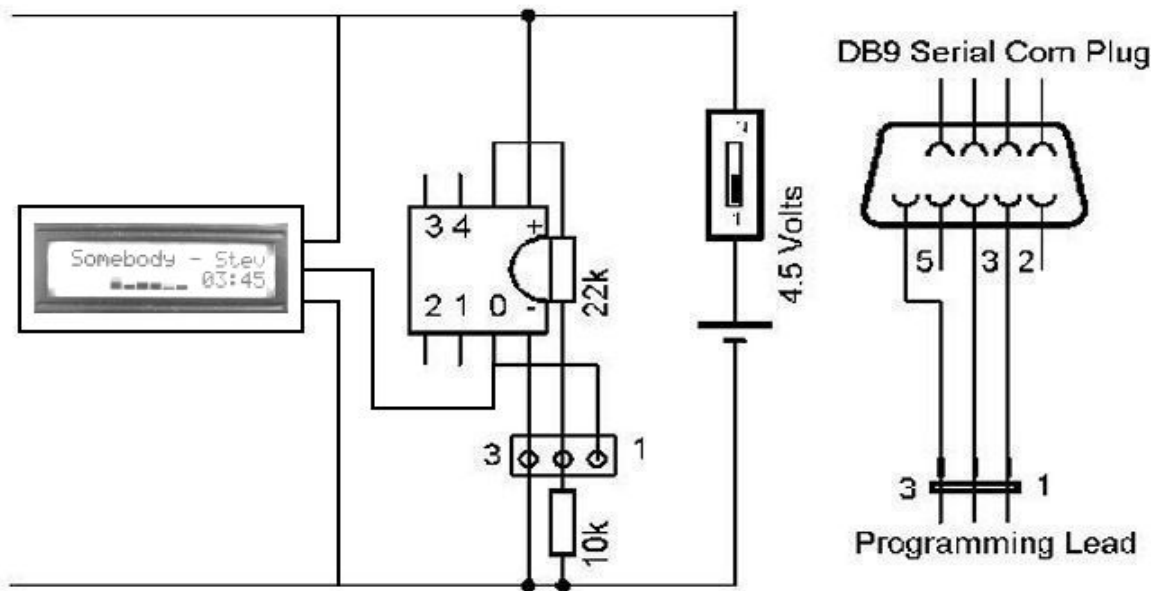
'Reset / Clear the LCD display

'Short time delay to allow LCD hardware to reset

'Line 1 Position 1 "Dog Box Temp"

'Line 2 position 1 = (ASCII b0 value)

'Time delay to display the message !



- Refer to the "Serial LCD Back Pack" kitset pdf in the Transducer Booster resource for commands to clear display, locate positions, flash txt, turn on and off backlight.
- To turn backlight ON send 254, 254, 1 (254, 254, 2 to turn OFF)
- The clear display command must be followed by a short delay to allow LCD hardware to reset