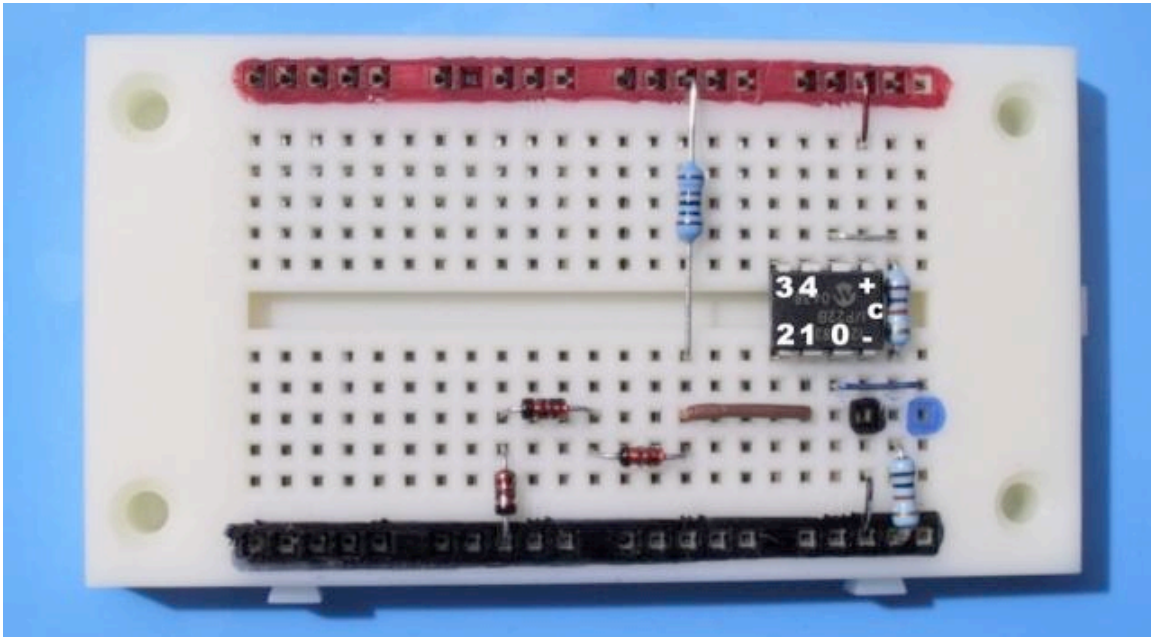
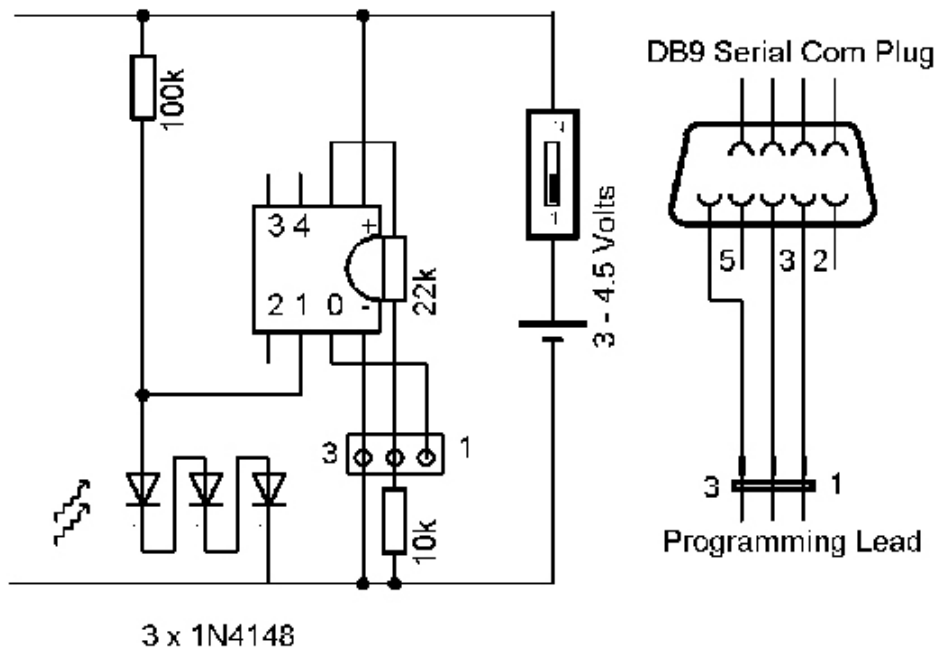


Diode Temperature Sensor



```

Loopa:
readadc10 1, w1
sertxd ( "Temperature voltage reading is now = ", #w1, 13, 10 )
goto Loopa
    
```



- A nominal 10k pull up resistor between pin1 and +ve forward biases the diodes
- 3 x 1N4148 signal Diodes terminated forward bias between -ve and pin 1
- This project generates a negative LINEAR temperature ramp over a VERY wide range of temperatures.
- The accuracy relies on a stable / regulated power supply as readadc command is “ratiometric” and a ratio of a 1/1024 count of the power supply voltage
- M2 picaxe chips have a similar built in internal temperature sensor and an internal voltage reference that could be used to make accurate temperature measurements