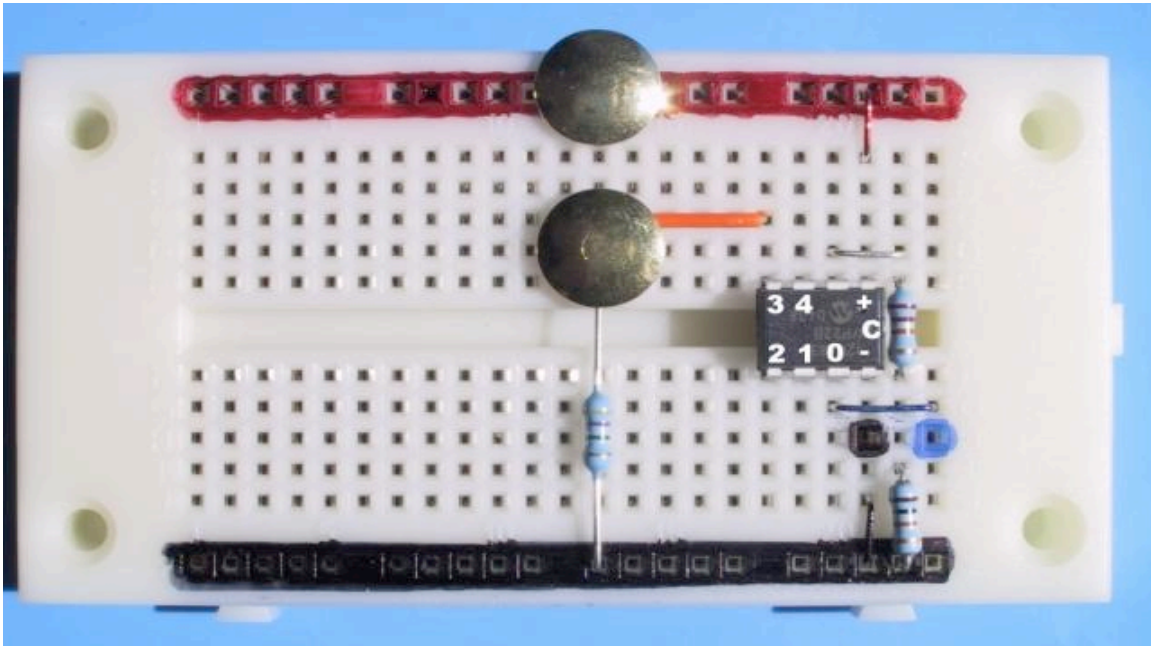
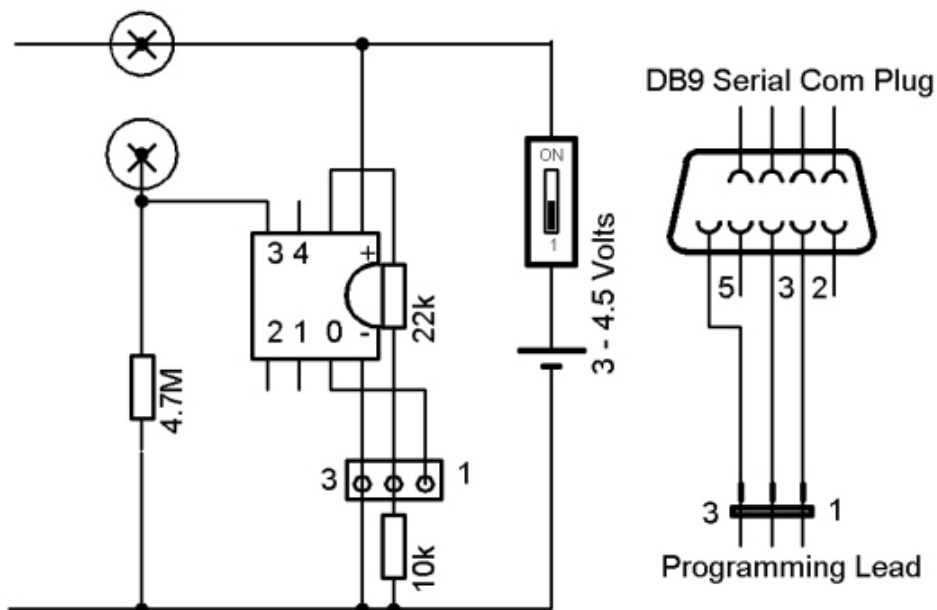


Touch Switch



Loopa:
 b1 = pin3
 debug b1
 goto loopa

*'Read the state of Pin3 into variable b1
 'Debug display the b1 on programming editor screen*



- Any value resistor keeps pin 3 in a LOW, “0” state when the switch is off.
- Other switches like a reed, mercury, piezo or PB type switch can be used in place of the drawing pin touch contacts.
- See Help Section PICAXE Manual I Tutorial 5 – Using Digital Inputs for more circuits, ideas and programming tips and Manual III “Input Device Interfacing”
- A 4m7 value pull down is the optimum value for drawing pin skin touch circuits. 10Meg is too sensitive to dampness and static. 1 Meg is not sensitive enough